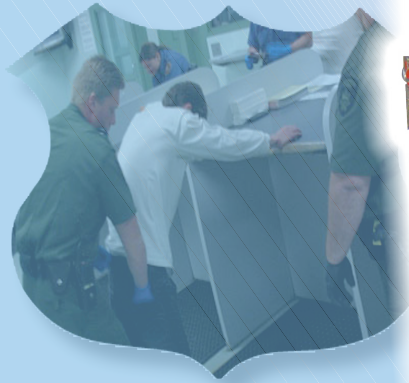




CSI-1100/1252-IPC



THE CUFFSAFE SYSTEM®

A new level of officer safety

www.cuffsafe.com



CUFFSAFE Industries®

would like to introduce you to the CUFFSAFE device.

CREATED DESIGN:

CUFFSAFE Industries is the founding company, who originally created the concept and introduced the design of the **CUFFSAFE device**. This international patented device is the result of many years of research and consultation with experienced law enforcement personnel that has produced a machine that will take officer safety to a **NEW** level when working with offenders within your workplace.

This device was designed to be used inline with occupational health and safety work practices (OH&S) or (OSHA) to assist all Law Enforcement and Corrective Service personnel or any other officer that is entrusted with custodial duties within their professional duties.

FUNCTION:

The **CUFFSAFE device's** primary function is to assist Law Enforcement and Corrective service personnel in the safe removal and application of handcuffs to and from prisoners or detainees within a facility.

o Secondly, the **CUFFSAFE device** may also be utilized as a **temporary restraint device** when processing prisoners or detainees alike. Or to assist security personnel to safely secure a person being detained until local Law Enforcement personnel arrive. **This not only minimizes the risk of injury to staff within your workplace, but also the potential risk of "self harm" by the person/s being detained whilst at the same time, helping your organization to not only meet, but exceed it's legal obligations of exercising their "duty of care" of all persons within the workplace.**

ASSOCIATED RISK:

Prisoners and detainees **DO** pose a **REAL** *“threat of violence”* to an arresting officer or custodial staff. This threat is increased substantially when having to apply and remove handcuffs from or too a person that is usually unknown to them, or they have very little knowledge of. This is mainly due to the fact that the **officer has to have physical contact with the prisoner or detainee in order to remove or apply handcuffs to that person.** Whilst the officer is removing the handcuffs from a detainee, he/she is usually required to focus on the key barrels of the handcuffs in order to insert the key, **NOT** the detainee! (figure 2)



figure 1: entry point for the key is minimal at best.

This *“threat”* or *“risk of violence”* is again increased because of the officer being within a single arm's length of that detainee, not forgetting the possibility of that person in custody, being affected by an intoxicating substance.



figure 2: who is at most risk?

This can and does result in the Police, Corrective Service personnel and other Law Enforcement professionals being exposed to the unnecessary risk of *being assaulted* whilst performing these custodial duties within their workplace.



Handcuffs being used as a weapon?

Experienced Law enforcement personnel are aware of the *dangers associated with applying and removing handcuffs to and from a person.* Originally designed as a restraint device, handcuffs can become a weapon or tool in the hands of a detainee, *which may be used to do harm to themselves, other prisoners and staff.* This has occurred previously, when an officer was removing a set of handcuffs from a prisoner, a struggle has taken place with only one cuff released, resulting in severe injuries to both custodial staff and prisoner.



Figure 1: *with one hand released, the handcuffs can be used as an effective weapon.*

STATISTICS:

According to numerous independent reports undertaken in the United Kingdom relating to Police being assaulted and related injuries occurring between 1993-2001, revealed some of the following statistics.

- Most assaults on Police occurred once the suspects/detainee's were in Police custody.
- 39% of the offenders were between the ages of 21years and 30years old.
- 75% of the offenders were male.
- 48% of the arrestees were affected by either alcohol or drugs.

Advantages/Solutions: *A new level of safety with the CUFFSAFE device.*

At **CUFFSAFE Industries**, we believe *by using the CUFFSAFE device, the risk of injury is substantially reduced* by securing the detainee and in turn, eliminating the potential for elbow strikes, punches and head butt strikes to the arresting/custodial officer.

Removing Handcuffs:

The **CUFFSAFE device** promotes **Officer Safety** by creating a **“SAFETY ZONE.”**

The **“Safety Zone”** is a safe working distance between the officer and the detainee, which is maintained by the formation of a physical barrier between the two persons. This is crucial to the officers safety, as it gives the officer a larger time period to react should the detainee attempt an assault .



figure 2: showing a detainee cuffed to the rear using “peerless” type handcuffs.

Securing Handcuffs with Safety:

The **CUFFSAFE device** secures the handcuffs by locking the centre portion of the handcuffs into the head of the device via a solid steel retractable locking pin, which in turn secures the prisoner or detainee. Once the cuffs are secured and the Cuffsafe device **“locked off”**, the handcuffs **CANNOT** be used as a weapon or implement to assault custodial staff.

Handcuffs will not pull through:

With using the **CUFFSAFE device**, it does not matter if one or both hands are cuffed, because the CUFFSAFE device will **NOT** allow the handcuffs to pull through the opening in the head of the device.

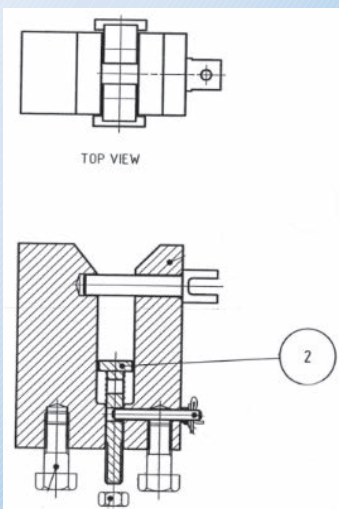


figure 1: *Detainee is still secured by one hand, locking pin safely secures handcuffs.*

It should be noted that when using the **CUFFSAFE device** as a temporary restraint device, it is recommended that both hands are cuffed, thereby reducing the risk of injury substantially by eliminating the potential for elbow strikes and punches to the officer.

Peerless type or Hinged type Handcuffs.

The **CUFFSAFE device** had been specifically designed to accept either the “Hinged” type handcuffs or the “Peerless” (chain) type handcuffs. This is possible through its patented designed adjustable drop down plate (No: 2) that adjusts to accommodate either type of handcuff.



“Hinged” type handcuffs (Saf-Lok)



“Peerless”(chain) type handcuffs

A SAFER WAY TO SEARCH with the CUFFSAFE device.

The CUFFSAFE device brings a new level of safety to the Law Enforcement and Corrective Service personnel alike when required to perform a mandatory search of a prisoner or detainee.



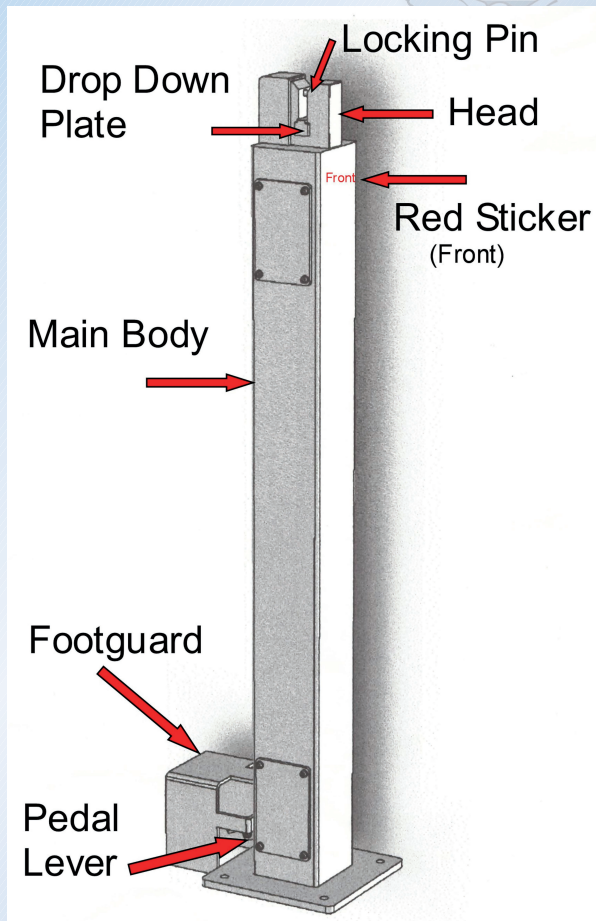
figure 1: performing a search at a 45 degree staggered stance

When a detainee is taken into custody, the arresting officer and custodial staff have to place a certain amount of trust in that person to comply with their directions when conducting a serious of mandatory searches or 'pat-downs' of that person. This is to check for any concealed articles the prisoner or detainee may have on them in person. These articles usually include weapons, drugs or any implements that can be used as a weapon or implement against not only custodial staff, but also the detainee themselves or other persons in custody.

As the officer performing the search is in very close proximity to the detainee in order to perform a search or 'pat-down', the risk of physical injury to that officer is largely increased should the detainee become NON-COMPLIANT. The CUFFSAFE device brings a whole new level of safety to this task. By physically securing the detainees hands and using CUFFSAFE'S recommended searching practices, it will substantially reduce the 'Risk of physical injury' to not only staff but also the prisoner or detainee by eliminating the potential for elbow strikes, punches, and head butt strikes.

This makes the CUFFSAFE device an invaluable tool to any Law Enforcement, Corrective Service personnel or organization working with persons in custody.

SPECIFICATIONS of the CUFFSAFE device



The **CUFFSAFE device** is made of all steel construction and relies on a spring bias to perform its function. This eliminates the need for a power supply, adds to the durability and relatively low maintenance of the device.

HEIGHT:

- The device is available in two standard heights:

1100mm/44 inches (from base to top)

1252mm/50 inches (from base to top)

NOTE: Can be ordered in *custom height measurements if required, to meet your organizational needs.*

figure 1: basic breakdown of main components



WEIGHT:

The average weight of the device is between **35kg/77lbs and 40kg/88lbs** dependant upon height requirements.

HOW IS THE DEVICE SECURE:

The **CUFFSAFE device** is secured to the floor or structure by way of 4 x 12mm/1/2 inch stainless steel dyna bolts/ fasteners. Installation time is around 40 minutes.

FEATURES and OPTIONS:

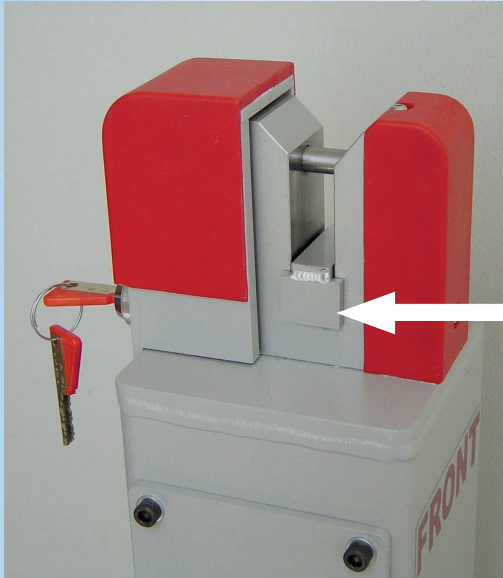


figure 1: the adjustable 'drop down' plate

Taking a closer look at the head of the **CUFFSAFE device**, reveals the adjustable drop down plate that allows the device to not only accept the 'peerless' type handcuffs, but also the 'hinged' type handcuffs.

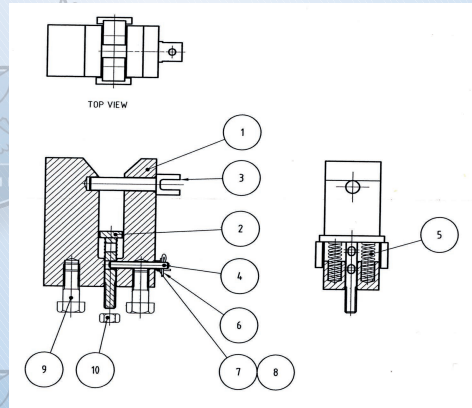


figure 2: internals of the head assembly



Figure 3 shows the "Bi-LOK" locking system that deadlocks the device. The Lock features a dual blade type key that offers you the maximum number of key combinations whilst ensuring that the keys cannot be removed until the device has been totally locked off, adding another passive safety feature to the CUFFSAFE device.

Figure 2 highlights the design and precision engineering that allows the **CUFFSAFE device** to perform its smooth operation with the utmost reliability and efficiency. Note the two specifically manufactured springs within their seats (5) that allow the adjustable drop down plate (2) to automatically reset to its highest position to accept the peerless type handcuffs.



MATCH YOUR KEYS:



Each key is individually numbered and is a registered/restricted key with **CUFFSAFE Industries**, which helps to protect against unlawful reproduction of the keys.

As another option, **CUFFSAFE Industries** offers the opportunity for your organization to not only color code the keys but also format the **“Bi-LOK” locking system** to allow it to universally accept a standardized key.

Where are the CUFFSAFE applications?

FINGERPRINTING: **CUFFSAFE** can be installed next to the fingerprinting bay, to assist in the fingerprinting of prisoners by unlocking one hand at a time. If the prisoner/detainee

becomes non-compliant, the officer can step back and call for assistance whilst the detainee is still safely secured.

PRISONER PROCESSING: **CUFFSAFE** can be used as a temporary restraining device to secure detainees while waiting to be processed within a police station, charge room or holding dock.

COURTROOM: Installed within a courtroom, the **CUFFSAFE** device can be unobtrusive in a courtroom, where a defendant may be cuffed by one hand and still stand or be seated without being in shackles. This helps to eliminate **“visual prejudice”** towards the defendant by a jury without sacrificing security.

PUBLIC AND PRISON HOSPITALS: **CUFFSAFE** can be utilized for its space efficiency by securing detainees and prisoners requiring medical attention, at the same time helping to improve safety for all medical staff concerned.

CORRECTIONAL FACILITIES: (state and federal)

CUSTOM AND BORDER PATROL FACILITIES

PRE-TRIAL DETENTION CENTRES

MENTAL HEALTH FACILITIES

MILITARY FACILITIES

The CUFFSAFE device offers the Law Enforcement community *a new level of safety* when working with prisoners or detainees and is unmatched for its cost, effectiveness and space efficiency as a temporary restraint device.



[CONTACTS DETAILS](#)

www.cuffsafe.com

®CUFFSAFE Industries/CUFFSAFE device (PAT.PEND.) is a registered trademark with the Australian Patent and Trademark Office.

©COPYRIGHT CUFFSAFE INDUSTRIES 2009.



www.cuffsafe.com



®CUFFSAFE Industries/CUFFSAFE device (PAT.PEND.) is a registered trademark with the Australian Patent and Trademark Office.
©COPYRIGHT CUFFSAFE INDUSTRIES 2009.